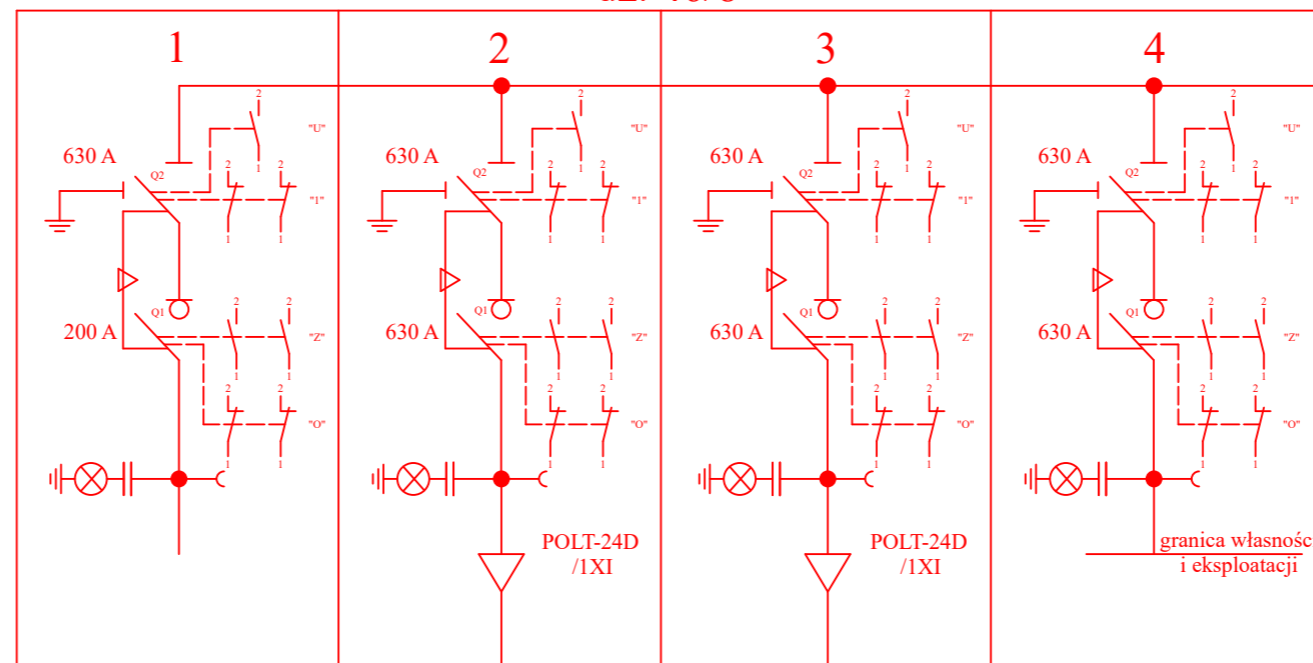


ZK-SN 15 kV
ST-19
dz. 46/8



proj. 3 x XRUHAKXS
1 x 240/50 mm²
l = 111/126 m
+ SRS-G 160/14,6 (l = 32 m)
i
DVK 160 (l = 1 + 1 + 3 + 3 + 1 + 1 + 1 + 1 = 12 m)

proj. 3 x XRUHAKXS
1 x 240/50 mm²
l = 111/126 m
+ SRS-G 160/14,6 (l = 32 m)
i
DVK 160 (l = 1 + 1 + 3 + 3 + 1 + 1 + 1 + 1 = 12 m)

kier. ST-13 p. 3
K-015

istn. 3 x XRUHAKXS 1 x 240 mm²
l ≈ 450 m

JHP-15-CX1
120-240 (S)

JHP-15-CX1
120-240 (S)

kier. ST-15 p. 1
K-015

istn. 3 x XRUHAKXS 1 x 240 mm²
l ≈ 915 m